

BP3000

FEATURES

- **VERSATILE**
- **ON BOARD APPLICATION**
- **EMC COMPATIBILITY**
- **VIBRATION RESISTANT**
- **IP55**

The PIUSI BP3000 is a long-lasting, self-priming vane pump. Powerful, versatile and compact, it is equipped with a built-in by-pass valve. Available in both 12V and 24V versions, it represents the core of the PIUSI range of pumps for on-board applications, particularly in the off-road and earthmoving machinery industry.

PERFORMANCE

UP TO
50 L/MIN

FLOW RATE

DC
VOLTAGE
 POWER

30 MIN

DUTY CICLE

UP TO
4MT

SELF-PRIMING



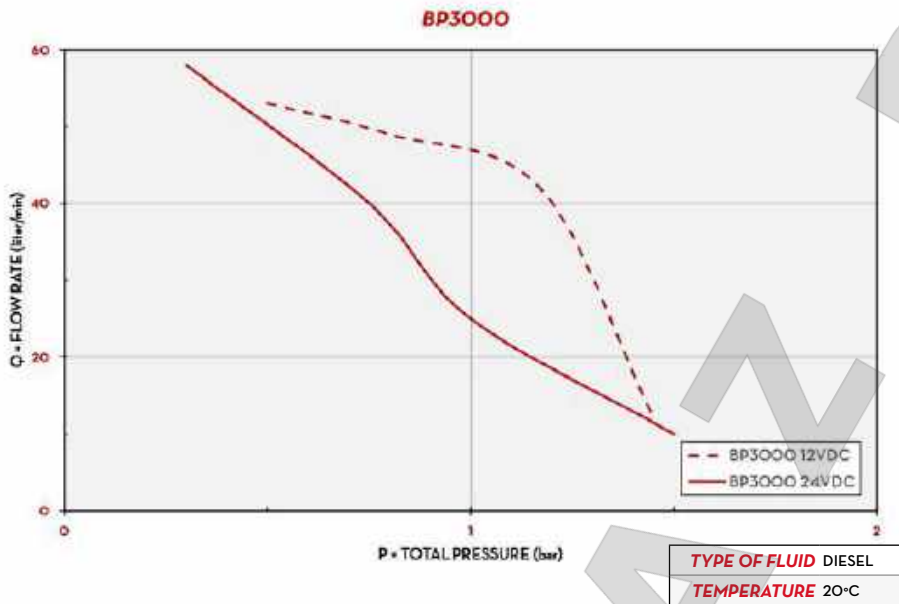
BP3000 INLINE



BP3000

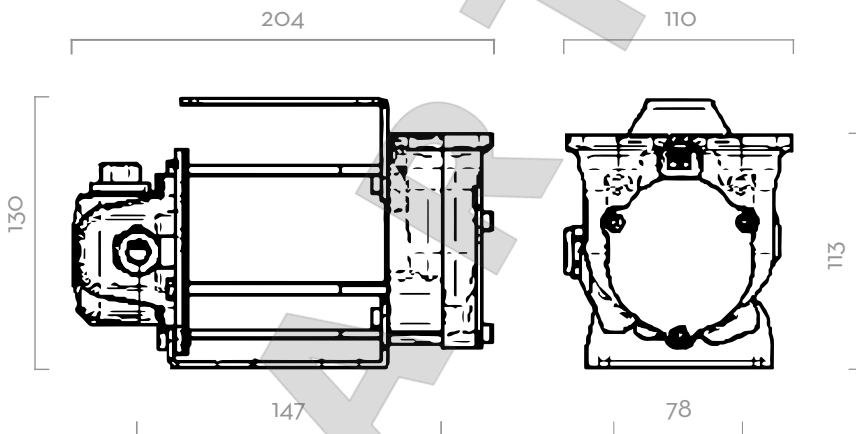
PACKAGING

CODE	WEIGHT		PACKAGING		
	KG	LBS	MM	INCH	PCS/BOX
FO0342000	3,5	7,9	200X120X140	7,9X4,7X5,5	1
FO0347000	3,5	7,9	200X120X140	7,9X4,7X5,5	1
FO0357000	3,5	7,9	200X120X140	7,9X4,7X5,5	1
FO0357500	3,5	7,9	200X120X140	7,9X4,7X5,5	1
FO0358000	3,5	7,9	200X120X140	7,9X4,7X5,5	1
FO0358500	3,5	7,9	200X120X140	7,9X4,7X5,5	1

CHART

IN THE BOX

- BP3000 PUMP
- INSTRUCTION MANUAL

DETAILS

DIMENSIONS


Dimensions expressed in millimeters

MATERIALS

- BODY: CAST IRON
- ROTOR: SINTERED STEEL
- VANES: ACETAL RESIN
- SEAL: NBR
- SHAFT: STEEL

TECHNICAL DATA

CODE	DESCRIPTION	FLUIDS TYPE	FLOW RATE		VOLTAGE			DUTY CICLE		RPM	THREADED PORTS BSP	MAX WORKING PRESSURE BAR
			L/MIN	GPM	DC VOLT	POWER WATT	AMP. MAX.	MINUTES				
FO0342000	BP3000 12V	D	50	13	12	300	24	30	2900	-	1,5	
FO0347000	BP3000 24V	D	50 / 30	13 / 6	24/12	310 / 80	13 / 6,5	30	2900 / 1500	-	1,5	
FO0357000	BP3000 12V INLINE	D	50	13	12	300	24	30	2900	-	1,5	
FO0357500	BP3000 12V INLINE 3/4' BSP	D	50	13	12	300	24	30	2900	3/4"	1,5	
FO0358000	BP3000 24V INLINE	D	50 / 30	13 / 6	24/12	310 / 80	13 / 6,5	30	2900 / 1500	-	1,5	
FO0358500	BP3000 24V INLINE 3/4' BSP	D	50 / 30	13 / 6	24/12	310 / 80	13 / 6,5	30	2900 / 1500	3/4"	1,5	